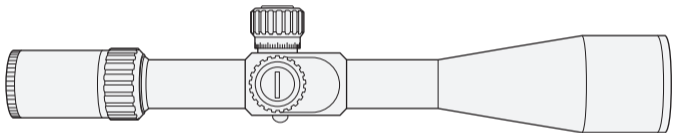


# MONSTRUM



**5-25x50**

**FIRST FOCAL PLANE RIFLE SCOPE**

SKU: G3F52550

## **Monstrum Tactical G3F52550 Features:**

---

- Adjustable 5-25x magnification for targeting out to 1500 yards and beyond.
- Our specially designed Type-H first focal plane reticle for faster range estimation and holdover correction.
- Adjustable objective (AO) lens - allows for a precise focus of the target image, elimination of parallax, and range estimation. Adjusted by a side focus dial.
- Etched reticle that is visible with or without illumination.
- Adjustable illuminated reticle controls, allowing for better reticle visibility at night or in low light environments.
- 1/4 MOA/click windage and adjustment knobs with resettable zeroes and turret locks to prevent slippage.
- Aircraft grade 6061 hard-anodized aluminum construction
- A sealed, nitrogen charged scope tube for resistance to fog and water.

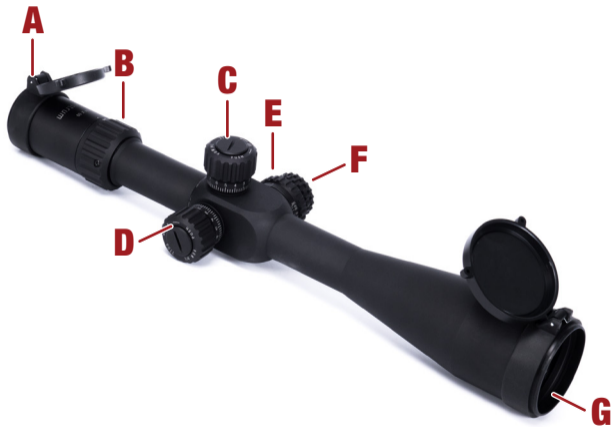
## **Your scope package includes:**

---

- Pair of heavy duty high profile 30mm picatinny scope rings.
- Detachable Sunshade.
- Set of flip-up lens covers.
- Lint-free cleaning cloth for the lens.
- CR2032 3V battery.

For more accessories for your product, visit us online:

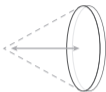
**[MonstrumTactical.com](http://MonstrumTactical.com)**



- A** - Focus Ring (Diopeter settings)
- B** - Magnification Control
- C** - Elevation Adjustment
- D** - Windage Adjustment
- E** - Adjustable Objective Control
- F** - Reticle Illumination Control (Battery Door)
- G** - Accessory Attachment Ring  
(thread protector installed)

## Mounting the Scope

---



***Eye Relief: 4in***

### **1. Determine the proper eye relief distance.**

Set the magnification to the highest setting and look through the scope. The optimum eye relief is the farthest distance away from the scope from which you can still see the entire circular field of view. For the G3F52550, the eye relief should be approximately 4 inches.

### **2. Position your Scope.**

The G3F52550 requires 30mm scope rings (included). Hold your rifle in a comfortable shooting position with your cheek welded to the stock. Position the scope according your optimum eye relief distance.

### **3. Secure the scope.**

Rotate the scope within the rings such that the vertical crosshair is aligned vertically with the rifle. Tighten the rings securely and evenly. If necessary, apply a drop of loc-tite<sup>®</sup> to the threads of the screws to secure them.

## Focusing the Scope

---

The first step in focusing your scope, is adjusting the focus ring at the near end of the eyepiece. **Please note** that adjusting the focus ring does not bring the target image into focus, but only focuses your eye on the reticle.

To adjust the focus ring:

1. For AO equipped scopes, first set the AO dial adjustment to infinity ( $\infty$ )
2. With the scope pointed toward a blank wall or the sky, look through the scope and adjust the focus ring until the reticle is in sharp focus.

## Adjustable Objective (AO)

---

AO stands for adjustable objective. This scope is equipped with an adjustable objective lens. What does that mean?

For non-AO scopes (scopes with a fixed objective lens), targets will only be in focus and parallax free with the reticle at a fixed distance (100 yards). Targets at other distances will be out of focus and parallax will be an issue. This means that for targets at other distances, the position of the reticle in relation to the target will shift slightly when you move your head, resulting in less accurate shooting.

An AO scope allows you to adjust the objective lens of the scope, bringing the target image into focus with the plane of the reticle. An AO scope, when properly focused, will bring your targets into sharper focus, eliminate parallax, and gather ranging information about your target.



## Adjustable Objective (AO)

---

### Using the AO dial:

1. Look through your scope at your desired target.
2. Adjust the AO dial, located on the left side of the scope, until the target image is at its sharpest focus.
3. Confirm that the sight picture is parallax free. To confirm this, move your eye slightly from side-to-side. The reticle should remain fixed on the target.
4. The AO dial should also allow you to estimate the approximate range of your target based on the physics of the image projection. Once in focus, the approximate range of your target is indicated by the range markings on the AO dial.

## Sighting in your Scope

---

*Tip: Before firing any rounds, we recommend bore sighting your rifle.*

1. Place your target 100 yards away (or the distance you wish to sight your scope at).
2. Position your rifle on a steady shooting platform, pointed at the target.
3. For scopes with variable magnification, set to the maximum setting.
4. Fire a round at the center of the target, taking care not to move the rifle.
5. Using a spotting scope/binoculars, identify the bullet hole on the target.
6. Using the windage and elevation adjustment dials on your scope, adjust the position of the crosshairs to align with the bullet hole. The elevation dial is located on the top. The windage dial is located on the right side. Each click of the adjustment dial will move the position of the crosshairs by **¼ MOA** or roughly **¼ inch at 100 yards**.

## Sighting in your Scope

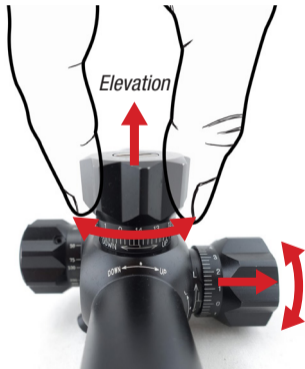
---

7. Once the crosshairs are aligned with the bullet hole, aim again at the center of the target and repeat the process until you are consistently hitting the center of the target.
8. Once the scope has been zeroed, you can lock down the turrets to prevent the dials from moving during shooting.

The windage and elevation dials have numbered markings at the base and can be reset to zero for a simpler point of reference. To reset the turrets to zero, simply unscrew the set screw at the top of the turret using a coin, rotate the turret to align the “0” with the reference point at the base of the turret, then re-tighten the set screw.

## Adjusting the Windage/Elevation

---



### **STEP 1**

Pull out the dial.

### **STEP 2**

Turn to adjust.

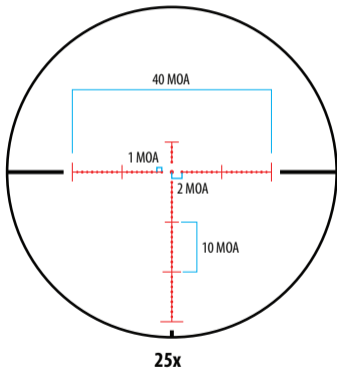
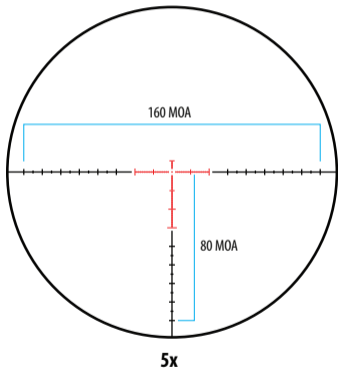
### **STEP 3**

Push back in to lock.

*(Your turrets may look different.  
Image is for demonstration purposes.)*

## First Focal Plane Reticle

---



## First Focal Plane Reticle

---

The G3F52550 Scope is equipped with a Type-H reticle designed with set hashmarks for estimating distance and for holdover correction.

*1 MOA (Minute of Angle) = approx. 1 inch @ 100 yards away.*

The scope uses a first focal plane reticle, meaning the size of the reticle relative to the target image stays consistent across different magnification settings. The ranging information also remains constant allowing for faster, more convenient range estimation and holdover correction.

The reticle is equipped with an illumination feature that lights up red in variable brightness. The illuminated reticle aids visibility in low light environments such as during dusk or against dark targets. It is not usable in very dark environments.

## First Focal Plane Reticle

---

The Reticle Illumination Control is on the same dial as the Adjustable Objective Control. Turn the outermost dial to turn it on and adjust the brightness. 0 (off) - 11 (brightest)

The illuminated reticle is powered by a single CR2032 3V battery, located within the reticle illumination dial. To change the battery, just unscrew the button cap and insert a new battery. Please dispose of dead batteries at a hazardous waste collection center.

## Sunshade

---



This scope includes a sunshade. To attach, unscrew and remove the thread protector on the Accessory Attachment ring and then screw into the now exposed threads.



## Warranty Support

---

### LIFETIME WARRANTY

Monstrum guarantees this product against manufacturing defects in materials and workmanship for the Life of your ownership. For more warranty information please visit: [MonstrumTactical.com/warranty](https://MonstrumTactical.com/warranty)

**MonstrumTactical.com**

All information and images are (c) 2022 Monstrum Tactical Inc