

**MONSTRUM<sup>®</sup>**  
**BLACKBIRD**  
PRISM OPTICS



**5x30**  
**PB530**

## **Monstrum PB530 Blackbird Prism Scope Features:**

---

- 2 MOA Circle Dot Reticle with 5 Levels of red and green illumination.
- High Definition coated lenses for a sharper image.
- Made of durable and lightweight 6061 Aircraft-grade Aluminum.
- Built-in mount with Torx lockdown bolts.
- IPX7 Waterproof & Fogproof rated for trouble-free performance.
- This product is provided with a Lifetime Warranty.

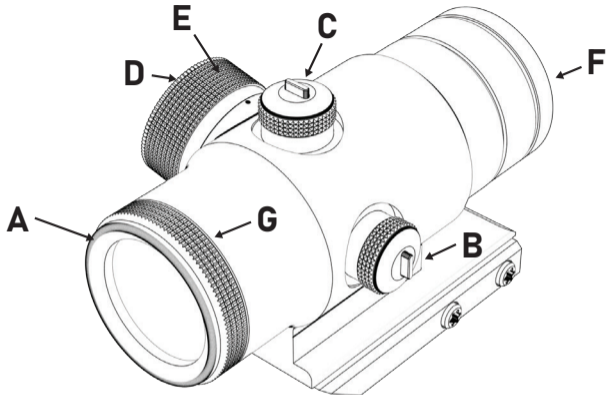
## **Your package includes:**

---

- PB530 Blackbird 1x Prism Scope
- CR2032 Battery
- Torx Wrench
- Lens Cloth

For more accessories for your product, visit us online:

**[MonstrumTactical.com](http://MonstrumTactical.com)**



**A** - Eyepiece

**B** - Windage Adjustment

**C** - Elevation Adjustment

**D** - Battery Door

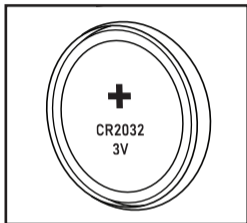
**E** - On/Off, Illumination Dial

**F** - Objective Lens

**G** - Diopeter Adjustment

## Installing the Battery

---



The Blackbird Prism Scope comes with a CR2032 3V Battery.

The battery can be replaced by removing the battery cap located at the end of the illumination dial. Insert it with the negative (-) face down.

Be sure to tighten the battery door fully to prevent connection issues.

# Operating the Sight

---

## **1. Turn On/Off.**

Illumination controls are located on the side dial. When “R” or “G” is selected the illumination is off. To turn it on just turn to a color/brightness level.

## **2. Adjust Brightness.**

This sight has 5 illumination levels in both red and green. Select the color that best helps you see the reticle against the background.

## **3. Check Diopeter Settings.**

Look through the optic at the reticle. It should appear sharp. Some prescriptions may make the reticle appear blurry. If so just adjust the Diopeter on the eyepiece to bring it into focus.

## Mounting the Sight

---

The Blackbird prism scope features a built-in mount. The mount attaches to a 1913 Picatinny style rail. First loosen the mounting bolts with the included T15 Torx wrench, install into position on your weapon's rail system, and then hand tighten plus 1/4 turn (approximately 30 in-lbs).

The height of the optic center point is exactly 1.5 inches from the rail top.

## Adjusting the sight

---

This optic features 1/2 MOA windage and elevation adjustments located on the top and side. To adjust your aim, simply remove the caps and use the projected tab on the backside of the cap to rotate the dial.

**Elevation Adjustments** - Top Dial. Adjust this setting if the point of impact is too high or too low from the target. Rotating this dial counter-clockwise will lower the aim point and raise your impact point. Rotating it clockwise will raise the aim point and lower your impact point.

**Windage Adjustments** - Side Dial. Adjust this setting if the point of impact is left or right from the target. Rotating this dial counter-clockwise will move the aim point left and move your impact point right. Rotating it clockwise will move the aim point right and move your impact point left.



## Maintenance

---

- This device is fully sealed and IPX7 waterproof. Make sure to fully tighten the caps to prevent moisture and dirt entering the internals.
- Always clean the lenses and surfaces with a clean microfiber cloth. Other materials may scratch the glass or surfaces.

## Troubleshooting

---

**Illumination is not turning on:**

Check to see if the Battery cap is fully tightened.

**Illumination is not bright enough:**

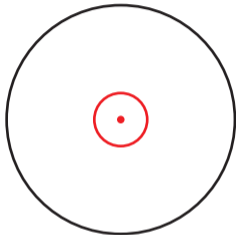
Try replacing the battery.

**Impact point is changing between groups:**

Check that the mounting bolts underneath the sight are tight. Make sure the rail mount is tightened sufficiently and that the sight does not move while installed on your weapon.

## Specifications

---



**Circle Dot  
Reticle**

- Magnification: 5x
- Objective: 30mm
- Length: 4.1in (103 mm)
- Weight: 11.5oz (382g)
- Elevation Range:  $\pm 40$  MOA
- Windage Range:  $\pm 40$  MOA
- Adjustment Scale: 1/2 MOA/click

## Warranty

---

Monstrum guarantees this product against defects in materials and workmanship for the **LIFETIME** of this product. If you have any questions or issues with your product, contact us 24 hours a day at [MonstrumTactical.com](https://MonstrumTactical.com)

**MonstrumTactical.com**

All information and images are (c) 2022 Monstrum Tactical Inc