

**MONSTRUM<sup>®</sup>**

**GHOST**

**3X MAGNIFIER  
ULTRACOMPAKT**



**3x  
PG3X-G2**

## **Monstrum PG3X-G2 Ghost Prism Magnifier Features:**

---

- Quick Engage Mount, magnifier flips 90° in place when needed.
- Improved Helios<sup>4</sup> Prism system for an even more compact design.
- High Definition coated lenses for a sharper image.
- Made of durable and lightweight 6061 Aircraft-grade Aluminum.
- Built-in mount with Torx lockdown bolts.
- IPX7 Waterproof & Fogproof rated for trouble-free performance.
- This product is provided with a Lifetime Warranty.

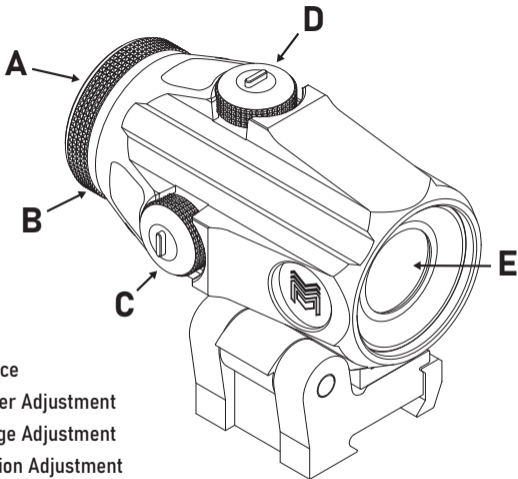
## **Your package includes:**

---

- PG3X Ghost 3x Prism Magnifier
- Quick Engage Mount
- Torx Wrench
- Lens Cloth

For more accessories for your product, visit us online:

**MonstrumTactical.com**



- A - Eyepiece**
- B - Diopeter Adjustment**
- C - Windage Adjustment**
- D - Elevation Adjustment**
- E - Objective Lens**

## Mounting the Sight

---

The Ghost magnifier is designed to operate behind red dot sights. Allow enough space between the 2 items to rotate freely. When not in use, simply flip the optic to the side.

The mount attaches to a 1913 Picatinny style rail. First loosen the mounting bolts with the included T15 Torx wrench, install into position on your weapon's rail system, and then hand tighten plus 1/4 turn (approximately 30 in-lbs).

The height of the optic center point is exactly 1.55 inches from the rail top.

## Adjusting the sight

---

**Elevation Adjustments** - Top Dial. Adjust this setting to align the red dot vertically within the magnifier. Rotating this dial counter-clockwise will lower the aim point and raise your impact point. Rotating it clockwise will raise the aim point and lower your impact point.

**Windage Adjustments** - Side Dial. Adjust this setting to align the red dot horizontally within the magnifier. Rotating this dial counter-clockwise will move the aim point left and move your impact point right. Rotating it clockwise will move the aim point right and move your impact point left.

The Ghost magnifier features an adjustable diopter on the eyepiece. Rotate this setting to sharpen the red dot sight.

## Maintenance

---

- This device is fully sealed and IPX7 waterproof. Make sure to fully tighten the caps to prevent moisture and dirt entering the internals.
- Always clean the lenses and surfaces with a clean microfiber cloth. Other materials may scratch the glass or surfaces.

## Specifications

---

- Magnification: 3x
- Length: 3.54in (90mm)
- Weight: 12.2oz (346g)
- Elevation Range:  $\pm 50$  MOA
- Windage Range:  $\pm 50$  MOA

## Warranty

---

Monstrum guarantees this product against defects in materials and workmanship for the **LIFETIME** of this product. If you have any questions or issues with your product, contact us 24 hours a day at:

**MonstrumTactical.com**

**MonstrumTactical.com**

All information and images are (c) 2022 Monstrum Tactical Inc