



**MONSTRUM<sup>®</sup>**

**GHOST**  
RED·DOT

**1x20**  
**RDT20 V2**

## **Monstrum RDT20 Ghost Red Dot Features:**

---

- 2 MOA Dot Reticule with 11 Levels of red illumination.
- UltraLUX Multi-layer Lens Coating for a sharper image.
- Electronic Controls with Shake Awake and Sleep mode.
- Made of durable and lightweight 6061 Aircraft-grade Aluminum.
- Includes 2 different mounts with Torx lockdown bolts.
- IPX7 Waterproof & Fogproof rated for trouble-free performance.
- This product is provided with a Lifetime Warranty.

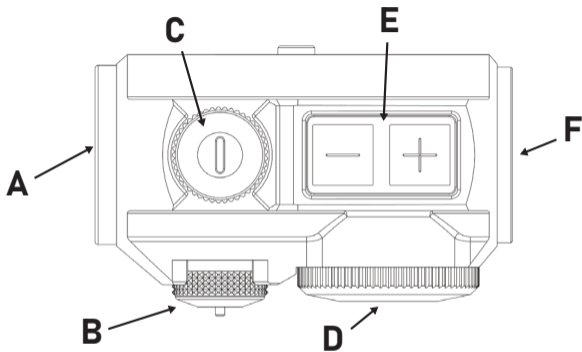
## **Your package includes:**

---

- RDT20 V2 Ghost 1x Red Dot
- 1.55" High Riser Mount
- 0.88" Low Profile Mount
- CR2032 Battery
- Torx Wrench
- Lens Cloth

For more accessories for your product, visit us online:

**[MonstrumTactical.com](http://MonstrumTactical.com)**



**A - Eyepiece**

**B - Windage Adjustment**

**C - Elevation Adjustment**

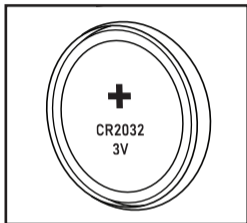
**D - Battery Door**

**E - On/Off, Illumination Controls**

**F - Objective Lens**

## Installing the Battery

---



The Ghost Red Dot comes with a CR2032 3V Battery.

The battery can be replaced by removing the battery cap located at the end of the illumination dial. Insert it with the negative (-) face down.

Be sure to tighten the battery door fully to prevent connection issues.

## Operating the Sight

---

### **Illumination Controls**

*Turn On:* Press either the [+] or [-] buttons on top of the unit.

*Turn Off:* Hold the [-] button down for 3 seconds.

*Increase Brightness:* Press the [+] button.

*Decrease Brightness:* Press the [-] button.

This sight has 11 illumination levels in red. The Laser Diode Optical system is brighter than traditional LED red dots, allowing the dot to be seen in more lighting environments.

### **Shake Awake**

The red dot will automatically enter sleep mode when idle for 1 hour. Turn the reticle back on by giving the unit a shake. Brightness settings are saved to memory each time it is turned on and off.

## Mounting the Sight

---

This red dot includes 2 replaceable mounts. Both mounts attach to a 1913-MIL-STD Picatinny style rail. First loosen the mounting bolts with the included T15 Torx wrench, install into position on your weapon's rail system, and then hand tighten plus 1/4 turn (approximately 18 in-lbs).

The height of the optic center point on the high riser mount is exactly 1.55 inches from the rail top.

The height of the optic center point on the low profile mount is exactly 0.88 inches from the rail top.

## Adjusting the sight

---

This red dot sight features 1/2 MOA windage and elevation adjustments located on the top and side. To adjust your aim, simply remove the caps and use the projected tab on the backside of the cap to rotate the dial.

**Elevation Adjustments** - Top Dial. Adjust this setting if the point of impact is too high or too low from the target. Rotating this dial counter-clockwise will lower the aim point and raise your impact point. Rotating it clockwise will raise the aim point and lower your impact point.

**Windage Adjustments** - Side Dial. Adjust this setting if the point of impact is left or right from the target. Rotating this dial counter-clockwise will move the aim point left and move your impact point right. Rotating it clockwise will move the aim point right and move your impact point left.



## Maintenance

---

- This device is fully sealed and IPX7 waterproof. Make sure to fully tighten the caps to prevent moisture and dirt entering the internals.
- Always clean the lenses and surfaces with a clean microfiber cloth. Other materials may scratch the glass or surfaces.

## Troubleshooting

---

**Illumination is not turning on:**

Check to see if the Battery cap is fully tightened.

**Illumination is not bright enough:**

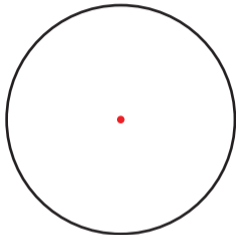
Try replacing the battery.

**Impact point is changing between groups:**

Check that the mounting bolts underneath the sight are tight. Make sure the rail mount is tightened sufficiently and that the sight does not move while installed on your weapon.

## Specifications

---



**Laser Dot  
Reticle**

- Magnification: 1x
- Objective: 20mm
- Length: 2.59in (73.5mm)
- Weight: 5.8oz
- Elevation Range:  $\pm 40$  MOA
- Windage Range:  $\pm 40$  MOA
- Adjustment Scale: 1/2 MOA/click

## Warranty

---

Monstrum guarantees this product against defects in materials and workmanship for the **LIFETIME** of this product. If you have any questions or issues with your product, contact us 24 hours a day at [MonstrumTactical.com](https://MonstrumTactical.com)

**MonstrumTactical.com**

All information and images are (c) 2022 Monstrum Tactical Inc