



MONSTRUM™

VADER
RED·DOT

Monstrum RDT40 Vader Red Dot Features:

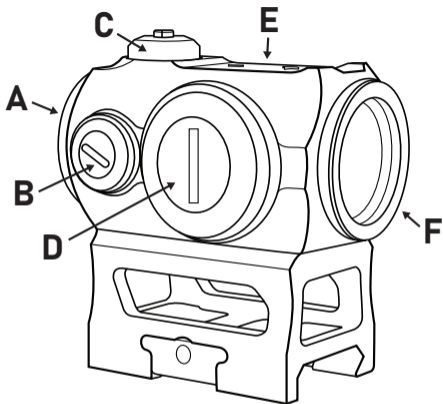
- 2 MOA Dot Reticle with 10 Levels of red illumination (8 Daylight/2 NV).
- High Performance multi-layer coated lenses for a sharper image.
- Made of durable and lightweight 6061 Aircraft-grade Aluminum.
- 1.41" Absolute Co-Witness Mount for easy transition to iron sights.
- IPX7 Waterproof & Fogproof rated for trouble-free performance.
- We provide this product with our 5 Year End-to-End Warranty.

Your package includes:

- RDT40 Vader Reflex Red Dot
- Absolute Co-Witness Riser Mount
- Low Profile Mount
- Lens Cover
- CR2032 Battery
- Torx Wrench
- Lens Cloth

For more accessories for your product, visit us online:

MonstrumTactical.com



A - Eyepiece

B - Windage Adjustment

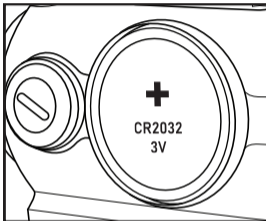
C - Elevation Adjustment

D - Battery Door

E - On/Off, Illumination Controls

F - Objective Lens

Installing the Battery

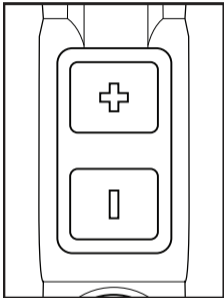


The Vader Red Dot comes pre-installed with a CR2032 3V Battery.

The battery can be replaced by removing the battery cap located on the side of the sight. Insert it with the negative (-) face down.

Be sure to tighten the battery door fully to prevent issues.

Operating the Sight



1. Turn On/Off.

Illumination controls are located on the top of the sight in the form of [+] and [-] buttons. Press and hold either button for more than 1 second to turn the sight on/off.

2. Adjust Red Dot Brightness.

This sight has 10 illumination levels, 8 day and 2 night. To increase the red dot brightness press the [+] button. To lower the brightness press the [-] button.

The sight will automatically remember the last illumination setting the next time it is turned on.

Mounting the Sight

The Vader Red Dot comes with 2 different mounts:

- Absolute co-witness riser mount with an optical axis of 1.41in
- Low profile mount.

Both mounts attach to the sight from the bottom with 4 hex bolts. Use the included 5/64 hex wrench to remove these bolts and change the mount as needed.

Each mount attaches to either a 1913 Picatinny or Weaver style rail. First loosen the mounting bolt with the included 7/64 hex wrench, install into position on your weapon's rail system, and then hand tighten plus 1/4 turn (approximately 30 in-lbs).

Adjusting the sight

This red dot sight features 1/2 MOA windage and elevation adjustments located on the top and side. To adjust your aim, simply remove the caps and use the projected tab on the backside of the cap to rotate the dial.

Elevation Adjustments - Top Dial. Adjust this setting if the point of impact is too high or too low from the target. Rotating this dial counter-clockwise will lower the aim point and raise your impact point. Rotating it clockwise will raise the aim point and lower your impact point.

Windage Adjustments - Side Dial. Adjust this setting if the point of impact is left or right from the target. Rotating this dial counter-clockwise will move the aim point left and move your impact point right. Rotating it clockwise will move the aim point right and move your impact point left.

Maintenance

- This device is fully sealed and waterproof. Make sure to fully tighten the caps to prevent moisture and dirt entering the internals.
- Always clean the lenses and surfaces with a clean microfiber cloth. Other materials may scratch the glass or surfaces.
- Fit the included lens cover over the glass to protect it when not in use.

Troubleshooting

Red dot is blinking on and off during live fire:

Check to see if the Battery cap is fully tightened.

Illumination is too low:

Press the [+] button on the top. If that doesn't work then replace the battery.

Impact point is changing between groups:

Check that the mounting bolts underneath the sight are tight. Make sure the rail mount is tightened sufficiently and that the sight does not move.

Specifications

- Magnification: 1x
- Objective: 20mm
- Length: 2.4in (61mm)
- Weight: 5oz (141g)
- Elevation Range: ± 40 MOA
- Windage Range: ± 40 MOA
- Adjustment Scale: 1/2 MOA/click

Warranty

Monstrum guarantees this product against defects in materials and workmanship for **5 years**. If you have any questions or issues with your product, contact us 24 hours a day at MonstrumTactical.com

MonstrumTactical.com

All information and images are (c) 2021 Monstrum Tactical Inc