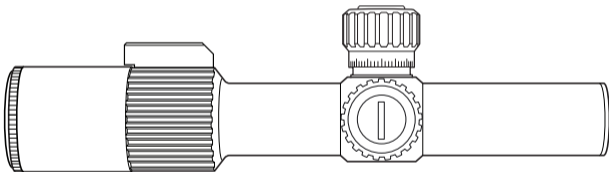




SPECTRE

LOW POWER VARIABLE OPTIC



MONSTRUM[®]

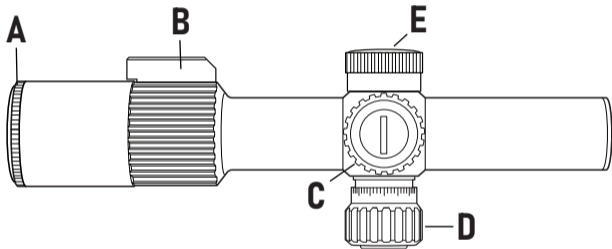
1-6x24
SN1624

1-6x24 Spectre LPVO Rifle Scope Features:

- Adjustable magnification for near and far targeting.
- BDC reticle with hash marks to 600 yards.
- 5 Levels of Red and Green illumination for better reticle visibility.
- 1/2 MOA/click windage and elevation adjustment with zero reset.
- Aircraft grade 6061 hard-anodized aluminum construction
- A sealed, nitrogen charged scope tube for resistance to fog and water.

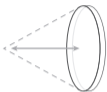
For accessories for your product, visit us online:

MonstrumTactical.com



- A** - Focus Ring (Diopeter settings)
- B** - Magnification Control
- C** - Elevation Adjustment
- D** - Windage Adjustment
- E** - Illumination Control (Battery door)

Mounting the Scope



Eye Relief: 4in

1. Determine the proper eye relief distance. Set the magnification to the highest setting and look through the scope. The optimum eye relief is the farthest distance away from the scope from which you can still see the entire circular field of view. The eye relief should be approximately 4 inches.

2. Position your Scope.

This scope requires 30mm scope rings (not-included). Hold your rifle in a comfortable shooting position with your cheek welded to the stock. Position the scope according your optimum eye relief distance.

3. Secure the scope.

Rotate the scope within the rings such that the vertical crosshair is

Focusing the Scope

The first step in focusing your scope, is adjusting the focus ring at the near end of the eyepiece. Please note that adjusting the focus ring does not bring the target image into focus, but only focuses your eye on the reticle.

To adjust the focus ring, point the scope towards a blank wall or the sky, look through the scope and adjust the focus ring until the reticle is in sharp focus.

Sighting in your Scope

Tip: Before firing any rounds, we recommend bore sighting your rifle.

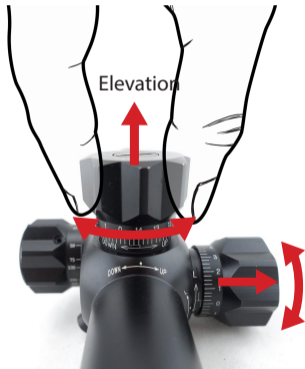
1. Place your target 100 yards away (or the distance you wish to sight your scope at).
2. Position your rifle on a steady shooting platform, pointed at the target.
3. For scopes with variable magnification, set to the maximum setting.
4. Fire a round at the center of the target, taking care not to move the rifle.
5. Using a spotting scope/binoculars, identify the bullet hole on the target.
6. Using the windage and elevation adjustment dials on your scope, adjust the position of the crosshairs to align with the bullet

Sighting in your Scope

7. Once the crosshairs are aligned with the bullet hole, aim again at the center of the target and repeat the process until you are consistently hitting the center of the target.

The windage and elevation dials have numbered markings at the base and can be reset to zero for a simpler point of reference. To reset the turrets to zero, simply unscrew the set screw at the top of the turret using a hex wrench, rotate the turret to align the "0" with the reference point at the base of the turret, then re-tighten the screw.

Adjusting the Windage/Elevation



STEP 1

Pull out the dial.

STEP 2

Turn to adjust.

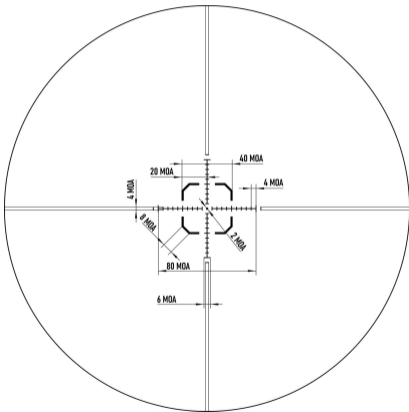
STEP 3

Push back in to lock.

Windage

(Your turrets may look different.
Image is for demonstration)

X1 MOA Reticle



X1

X1 MOA Reticle

This scope is equipped with a X1 reticle designed with set hashmarks for estimating distance and for bullet drop compensation.

The dot in the center of the reticle will illuminate in 5 levels of red or green.

Warranty Support

LIFETIME WARRANTY

Monstrum guarantees this product against manufacturing defects in materials and workmanship for the Life of your ownership. For more warranty information please visit: MonstrumTactical.com/warranty

MonstrumTactical.com

All information and images are (c) 2022 Monstrum Tactical Inc